

LUCKY DIP BAG

LEARN TO SEW CLEAN FINISH SEAMS

A LEARNING pattern for beginner sewers



© Pattern Orchard 2017

www.patternorchard.com

#POLuckydipbag

#POlearners

#PatternOrchard

The LUCKY DIP BAG pattern

Learn to sew 'Clean Finish' seams

This pattern has been designed to teach a sewing skill.

The instructions are more detailed than a traditional pattern to better guide you through sewing your first Clean finish seams.

As you progress through the pattern, the shape and construction method of the bag introduces you to sewing Clean Finish seams along edges of differing difficulty.

About the design

The Lucky Dip Bag is a handy staple with many uses. The pattern pieces are sized to make the most from a fat quarter of fabric. Enlarge the size to make bigger bags.

The seam allowance for this pattern (how far in from the raw edge your stitching needs to be) is 1.5cm.

Use a medium length stitch (3-3.5)

Table of contents

Fabric guide [page 3](#)

About Clean Finish seams [page 4](#)

Sewing instructions [pages 5-9](#)

Printing instructions are on [page 10](#)

Pattern pieces to print [pages 11-12](#)



FABRIC

TYPE

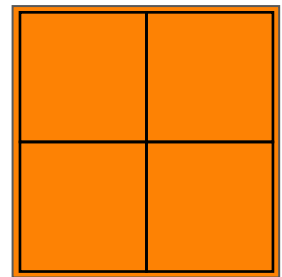
For the Lucky Dip Bag, a medium woven (non stretchy) fabric is recommended. Such as; quilting cotton, homespun, poplin.

Heavier fabrics like denim or canvas are not recommended as the bulk does not gather well around the drawstring top.

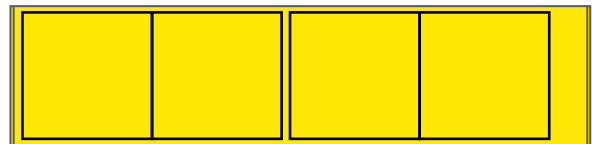
Avoid fabrics that fray easily or have a high pile such as muslin, terry towelling, corduroy, velvet, flannelette.

QUANTITY

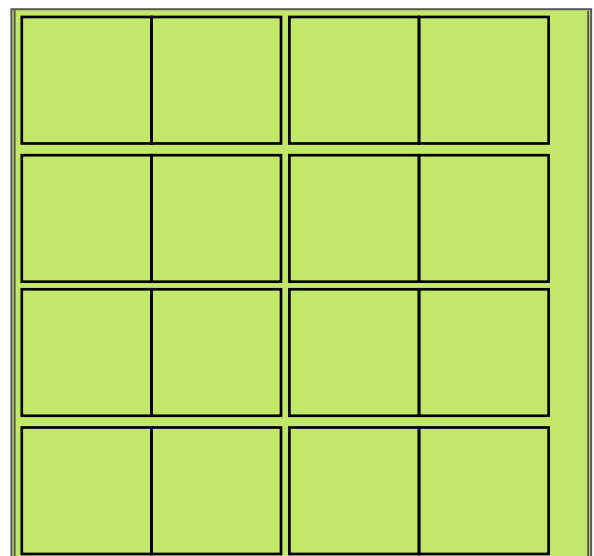
If using pre-cut Fat Quarters (FQ's 48x52cm),
2 complete bags can be made from 1x FQ.



If using yardage, a 25cm cut of fabric will make 2 complete bags.



A metre will make 8 bags.



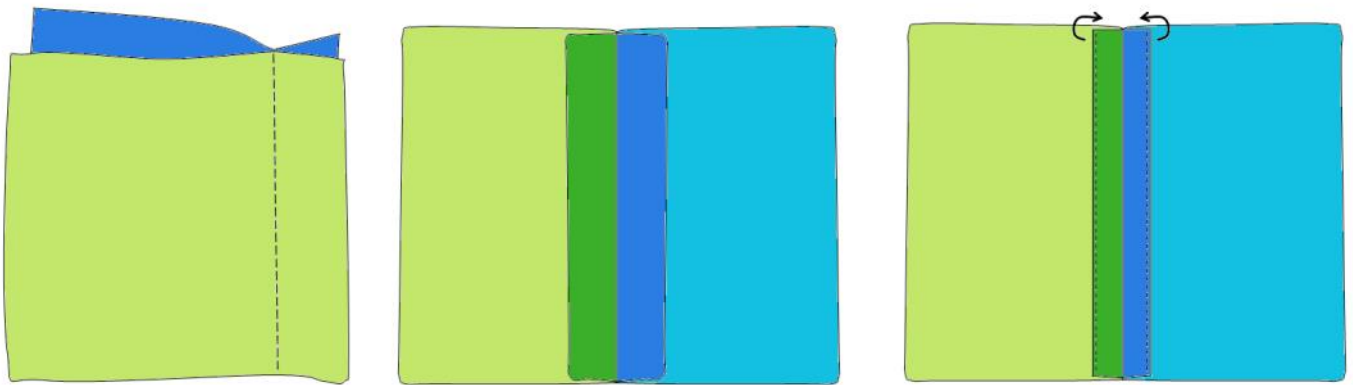
Clean Finish Seams

The clean finish seam was one of the earliest methods used to finish raw edges to prevent fraying.

Structure

After a seam has been sewn, the seam allowance is pressed to either side of the seam.

The raw edges are then folded underneath and topstitched in place.



When to use them

Typically used with lighter woven fabrics in place of overlocking. Straight edges or curves can both be finished this way.

A straight edge is a little easier to sew.

However, if the seam is in a tight area it can be a little fiddly to do the topstitching. E.g. on small cuffs of sleeves.

SEWING INSTRUCTIONS

STEP 1 : Your first Clean Finish seam!

To start, one side of the bag is sewn. Then the second with the same method.

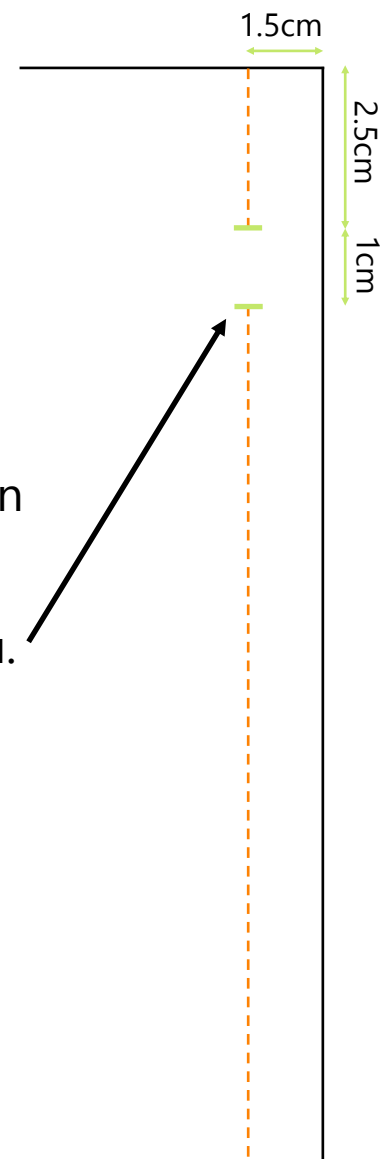
(a) SEW: Place the 2 bag fabrics right sides together (front to front).

(Sides are slightly longer than top & bottom).



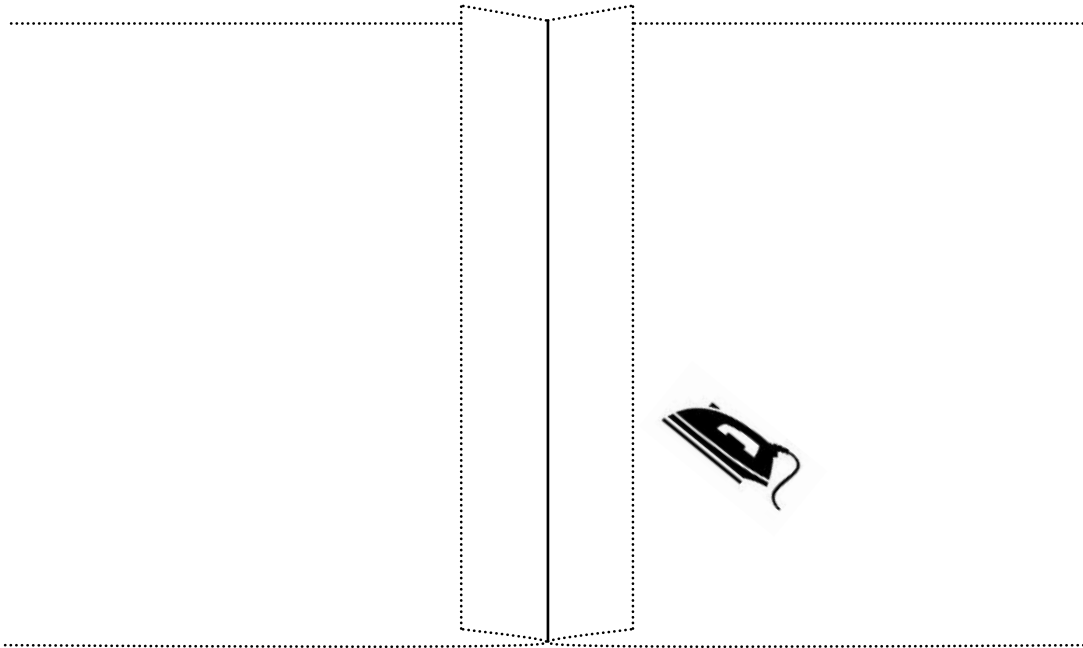
For this bag, a gap is left in this part of this seam to later allow the draw string to be threaded through.

Sew along the right side of the bag at 1.5cm from the raw edge of the fabric leaving a space in the stitching 1cm long that starts 2.5cm down from the top raw edge. Mark the start and stop positions on the back of the fabric to guide you.

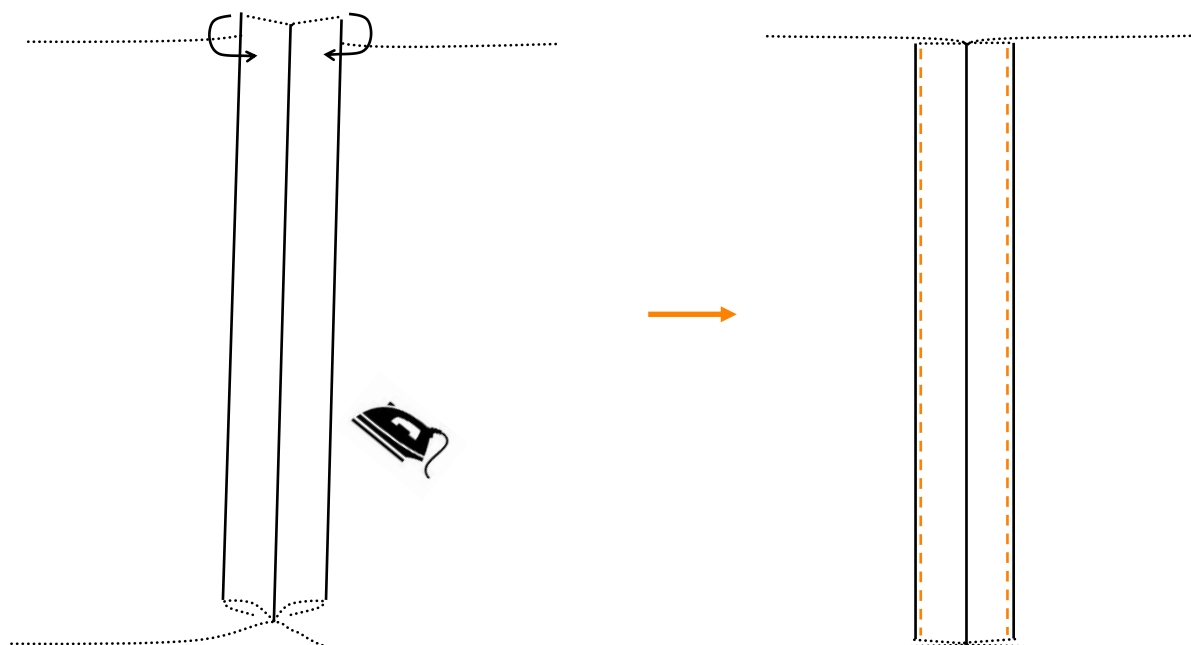


Backstitch at all start and end points.

STEP 1 : (b) PRESS: Then iron the seam open down the middle of the seam, pressing the two raw edges in opposite directions.



(c) FOLD & SEW: Fold the raw edges of the seam underneath themselves so that the raw edge is not quite touching the stitching of the seam.



Secure these folded edges in place with a line of stitching about 2-3mm from the folded edge.

STEP 2 : Repeat the process from STEP 1 on the left side seam of the bag.

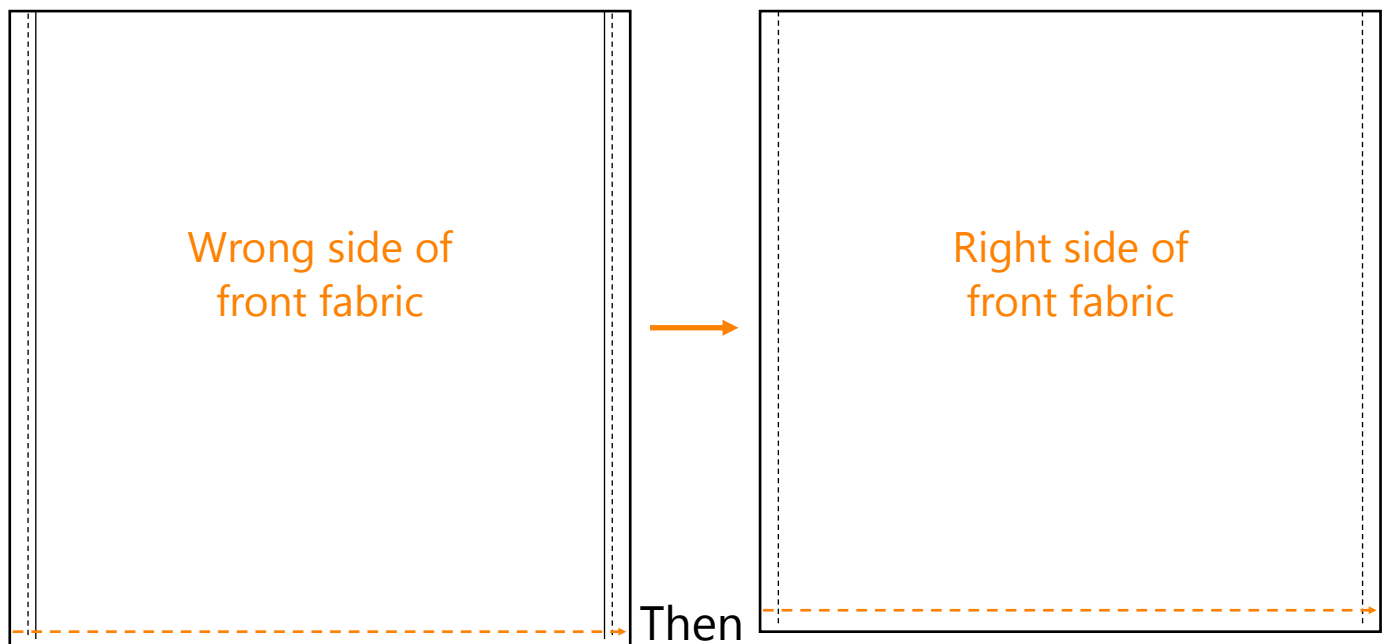
You now need to keep the fabric from the first side seam out of your way when sewing the second side seam. Try bunching the first seam up and holding with a clip.



As you sew keep checking you have not sewn through the other side of the bag by accident.

STEP 3 : To close the bottom of the bag, turn the bag inside out, so you are looking at the wrong side of the fabric.

Sew across the bottom of the bag about 4mm from the bottom raw edge.

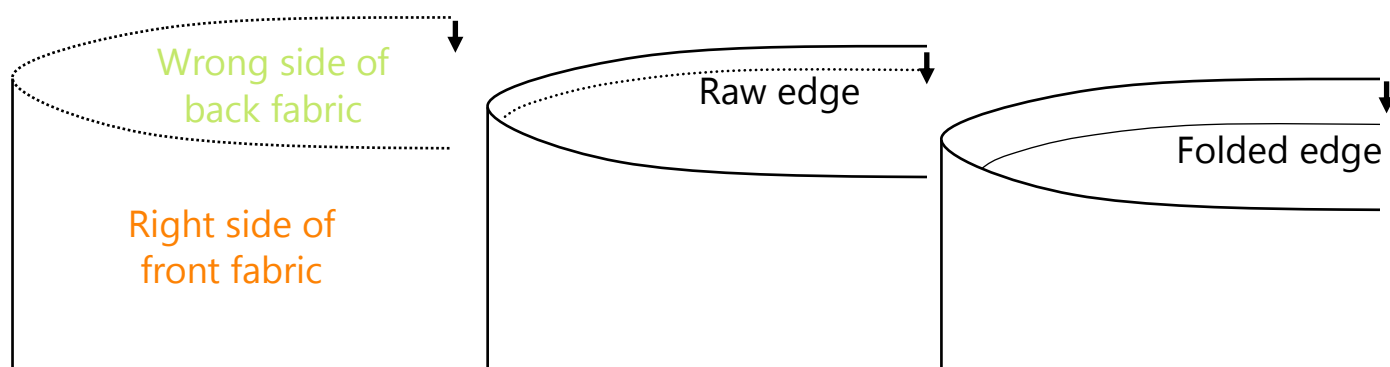


turn the bag out the right way and press.

Sew across the bottom end again, this time 7mm from the edge.

STEP 4: Fold the top raw edge of the bag down by 7mm so that the raw edge is now inside the top of the bag.

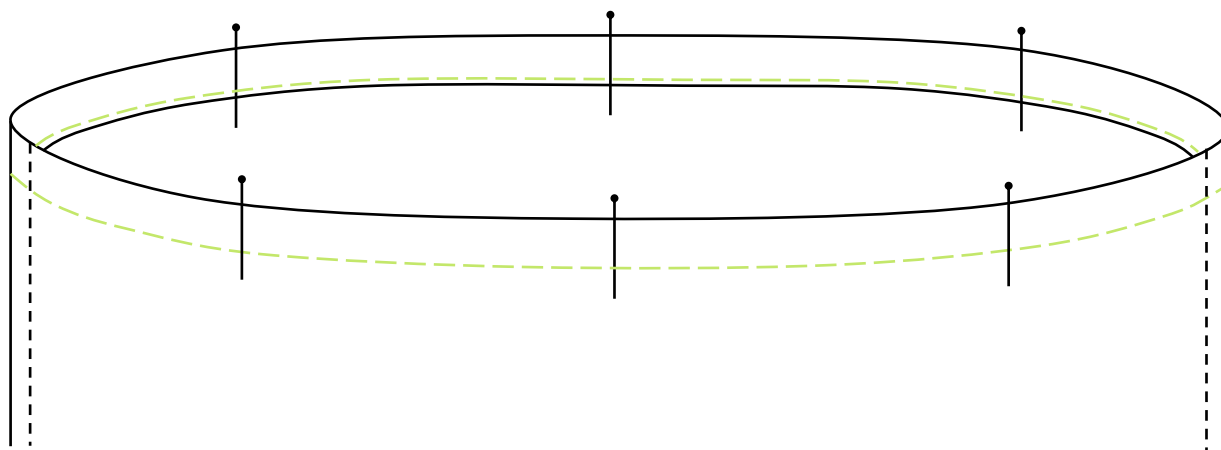
Press with iron.



Fold down again by 1.5cm in the same direction. Press with iron. The raw edge should now be hidden inside the folded top edge. The right side of the fabric should be on the outside now.

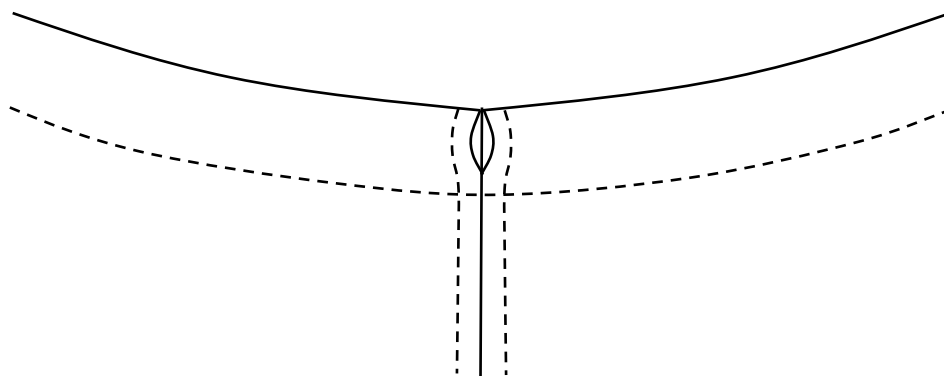
STEP 5: Pin in place before sewing around the bottom of the inside folded edge.


This stitching holds the edge in place and creates the long tunnel called a casing that you will thread the draw string cords through next.



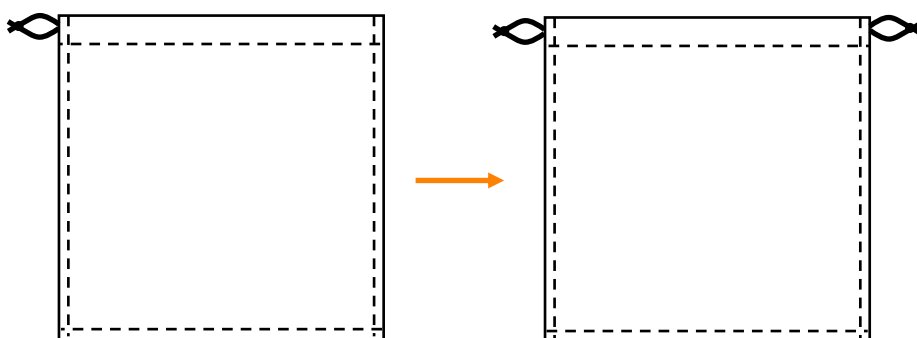
STEP 6: Cut 2x lengths of ribbon or cord that measure 50cm. Cord should be no wider than 4mm. Ribbon can be up to 10mm wide.

At the top of your bag you should be able to pull the fabric away from the seam to show the gap opening you left in the side seam stitching.



Attach a small safety pin to one end of the cord/ribbon.  Thread the safety pin in the left side opening, around the entire top of the bag and back out the left opening.

Tie the ends together.



Repeat, threading the second cord/ribbon through the right side opening.



Congratulations! Your Lucky Dip Bag is Finished!

Printing

Print only page 11 first. Using a metric ruler, check that the printed ruler picture on page 11 accurately measures 12cm.

If this is not accurate to within 1mm, your page has not printed to scale and you will need to troubleshoot the issue with your printer. Find out more about printing to scale on the Pattern Orchard website at www.patternorchard.com

Once page 11 has printed to scale, print page 12.

Each page has a double dot dashed border around it.

Cut along this border line on both pages.

Align the 2 rectangles using the apples as a guide. Tape or glue.

Now the pattern is assembled, cut out the pattern piece along the solid black line.

If a page gets damaged, you can print it again.

Pattern piece should measure 23.5x25cm.



To make a larger bag, use two whole fat quarters (52x48cm).

Sew them together using the same instructions.

Cut 2x ribbons 110cm each.





LUCKY DIP BAG

LEARN TO SEW CLEAN FINISH SEAMS

BAG PIECE

CUT 2 from woven (non stretchy) fabric

Finished size of bag once sewn 20.5cm wide x 22.5cm

© *PATTERN ORCHARD 2017*

